

OROS 820



HIGH NATURAL
MINERAL CONTENT



NON-POROUS
STAIN RESISTANT



RESISTANT TO HIGH
TEMPERATURES



SCRATCH AND
IMPACT RESISTANT



HYGIENIC
EASY TO CLEAN

ARQSTONE SINK



Arqstone — engineered stone — strong, durable, natural

Arqstone sinks, made in Europe from natural quartz, are extremely tough and resistant to high temperatures, scratching and stains. The high density stone surface is easy to clean and the smooth finish ensures a high level of hygiene.

- Square lines, smooth finish, made from pure natural quartz aggregate
- Suits undermount or abovemount installation
- Exceptionally strong and durable
- Deep, large capacity bowls, easy to clean corners, 10mm radii
- Stainless steel basket waste

SUMMARY Two bowls, one with integrated overflow

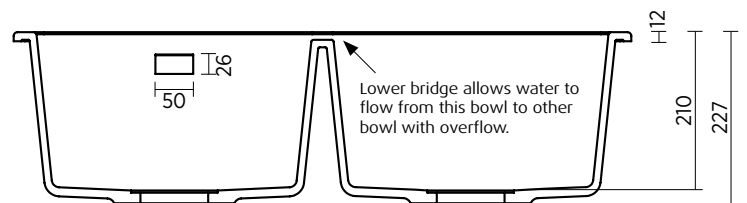
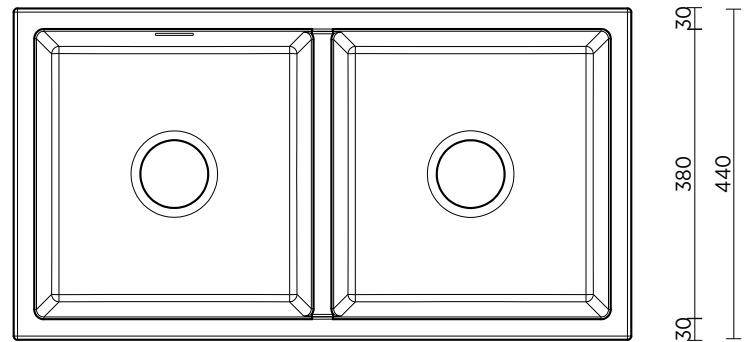
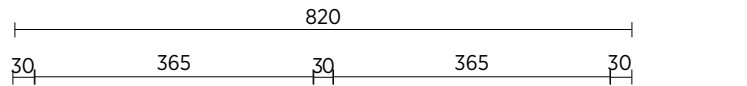
ORDER CODE Arqstone colour: **WHITE** **GREY** **BLACK**
Order code: 191038 191039 191040

COLOURS Available in Arqstone white, grey and black

OVERFLOW Integrated overflow

WASTE 90 mm stainless steel basket waste

BOWL SIZE Each bowl 365 x 380 mm, 210 mm deep, rim 30 mm, bridge between bowls 30 mm



ARQSTONE **WHITE**



ARQSTONE **GREY**



ARQSTONE **BLACK**

Stone sinks - Dimensions are subject to normal manufacturing variations of ±3mm.

 Sink has integrated overflow

SEIMA

bathroom | kitchen | laundry

seima.com.au

Please note

- All measurements are in millimetres.
- Always use the actual product to verify cutout.
- Use silicone sealant. DO NOT USE EPOXY TYPE ADHESIVES.
- Specifications may vary without notice as part of our continuous improvement practices.

oros-820-ds | v1.0